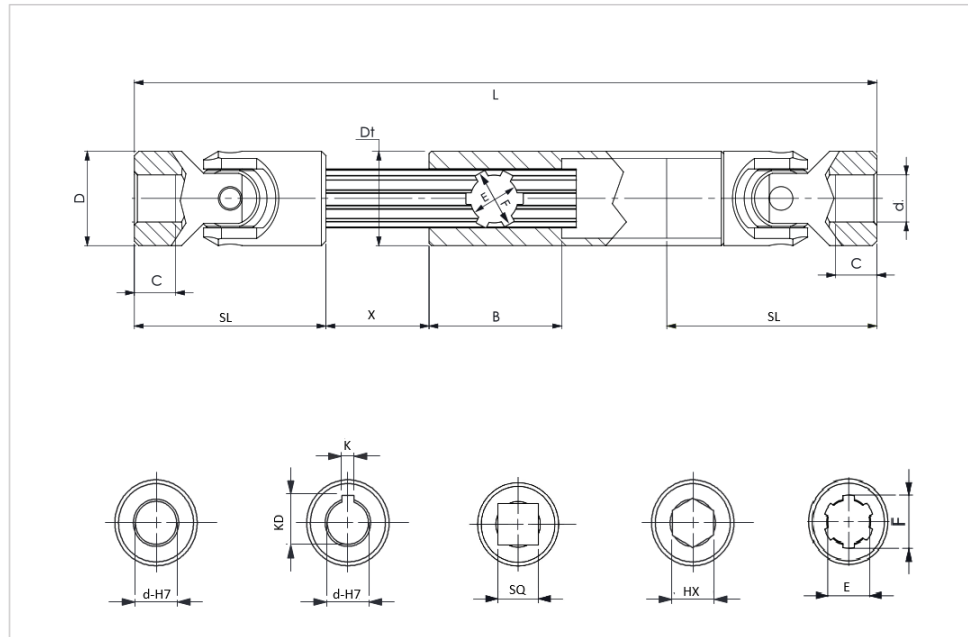


TELESCOPIC JOINT



Code	d-H7	D	SL	L		B	K X KD	S-H8	H-H8	E/F
	Bore	Dia	Single Joint	Close Length	Open Length		Width x Deep	Square Bore	Hex Bore	
T-16	6	16	40			25	2 x 9	8	8	9/12
T-22	10	22	48	140	170	30	3 x 11.4	10	10	11/14
T-25	12	25	56	160	190	40	4 x 13.8	12	12	13/16
T-28	14	28	60	170	200	40	5 x 16.3	14	14	13/16
T-32	16	32	68	190	220	40	5 x 18.3	16	16	16/20
T-36	18	36	74	230	280	40	6 x 20.8	18	18	16/20
T-42	20	42	82	250	300	45	6 x 22.8	20	20	18/22
T-45	22	45	95	250	280	45	6 x 24.8	22	22	21/25
T-50	25	50	108	295	345	45	8 x 28.3	25	25	23/28
T-58	30	58	125	330	380	50	10 x 35.3	30	30	26/32
T-70	35	70	140	350	420	70	10 x 38.3	-	-	-
T-80	40	80	160	370	455	80	12 x 43.3	-	-	-
T-95	50	95	190	400	510	90	14 x 53.8	-	-	-

x = on request*

Ordering Example:

T - 32 - 16 - 190 - K
 ↓ ↓ ↓ ↓ ↓
 Telescopic Dia Bore Length Keyway



Type	Dia	Bore	Length- Close	Length- Open	Profile
T	32	16	190	220	K